

VELAN

VTP-2000

Three-Piece Ball Valves

- *Up to 2000 WOG*
- *Sizes: 1/2–2" (15–50 mm)*
- *Full Compliance to ASME B16.34*
- *Fire-Tested to API 607 Rev. 5*





VTP-2000 3-PIECE BALL VALVE REGULAR PORT, THREADED OR SOCKET WELD ENDS, 1/2–1" (15–25 mm) 2000 WOG; 1 1/2–2" (40–50 mm) 1500 WOG

Velan is one of the world's leading manufacturers of industrial steel gate, globe, check, ball, butterfly and engineered severe service valves. Founded in 1950, Velan has become a leader in designing and manufacturing high quality valves built for low emissions, simple maintenance and long, reliable service life. For over 40 years, Velan resilient-seated ball valves have been providing superior performance in a broad range of applications in the chemical, refining & petrochemical, oil & gas, power generation, pulp & paper mining, water & wastewater and HVAC industries. Velan offers a complete range of resilient-seated ball valves and continues to innovate in this competitive market.

For more information:

www.velan.com
sales@velan.com

Tel.: (514) 748-7743
Fax: (514) 748-8635

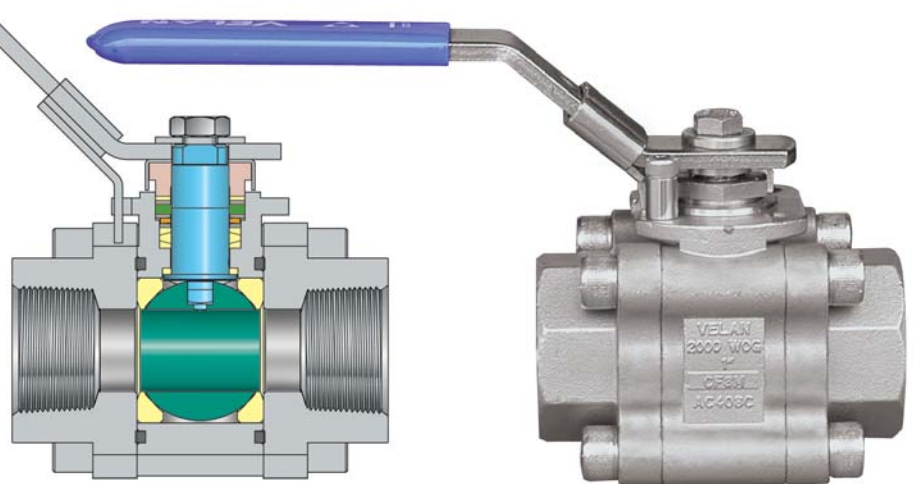
Velan Inc.

7007 Cote de Liesse
Montreal, QC H4T 1G2
Canada

Velan Valve Corp.

94 Avenue C
Williston, VT 05495
USA

Velan has sales offices and distributors worldwide.



Velan's new VTP-2000 3-Piece Ball Valve is a high performance general use ball valve, ideal for a wide variety of services. Designed for simple, in-line maintenance, and long, reliable service life, this resilient-seated ball valve offers sophisticated technical features that enable superior performance at an economical cost:

- Full compliance to ASME B16.34
- Fire-tested to API 607 Rev. 5
- MPTFE seats
- Live-loaded 3-way stem seal
- ISO 5211 mounting pad simplifies actuation
- Stainless steel handle with locking device (standard)
- In-line maintenance capability
- Weldable in-line without disassembly, see maintenance manual for instructions
- Bi-directional

OPTIONS:

- Combination ends
- NACE (MRO 175)
- CE marking
- Oval locking handle



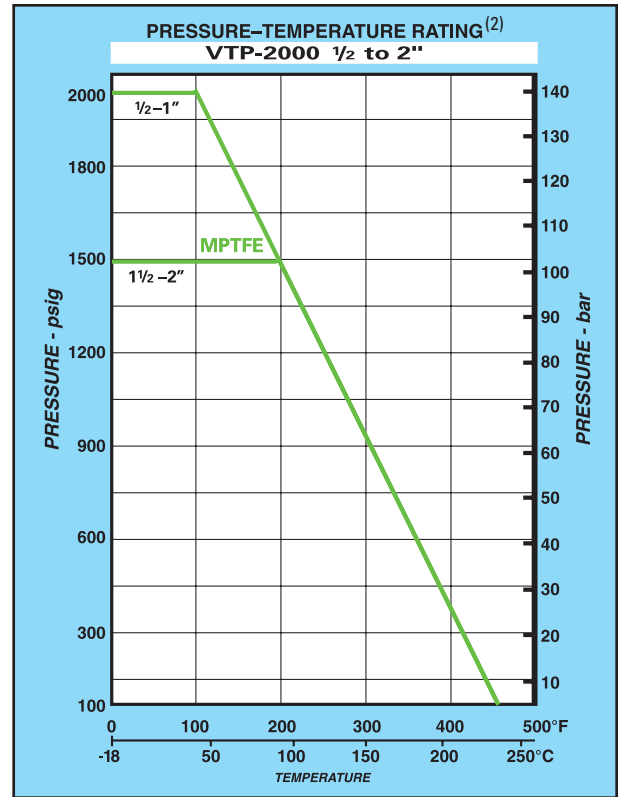
NOTE: The material in this catalog is for general information only and shall not be used for specific performance data and material selection without first consulting Velan. Velan reserves the right to change designs, materials or specifications without notice. Velan does not accept any liability or damages arising from the use of information in this catalog.

VTP-2000 3-PIECE BALL VALVE

STANDARD MATERIALS

PART	CARBON STEEL	STAINLESS STEEL
Body	WCB	CF8M
Body End Cap	WCB	CF8M
Stem	316	
Ball	CF8M	
Thrust Washer	PEEK	
Seat	MPTFE	
Packing Rings	Die-Formed Flexible Graphite/PTFE	
Hex Socket Head Cap Screw	B7M	Gr. B8 Cl.1 ⁽¹⁾
Body Seal	Die-Formed Flexible Graphite or PTFE	
Locking Device	304	
Handle	304	
Belleville Washer	304	
Spacer	304	
Hex Head Cap Screw	304	
Washer	304	
Packing Nut	304	
Packing Washer	316	

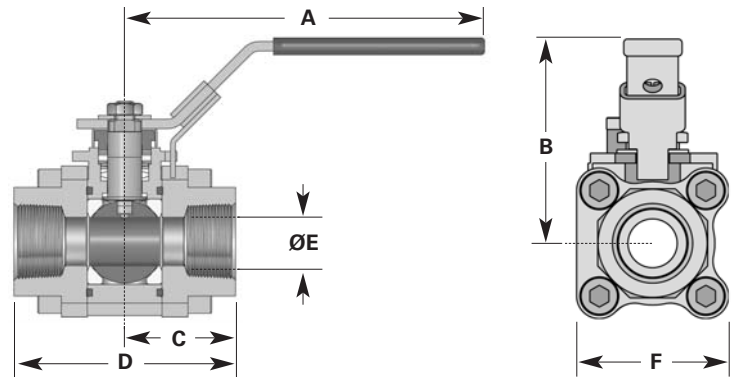
(1) Velan reserves the right to use UNS30433 per ASME F837.



(2) Pressure-Temperature shown is for CF8M or WCB body material. For rating of other materials please contact Velan.

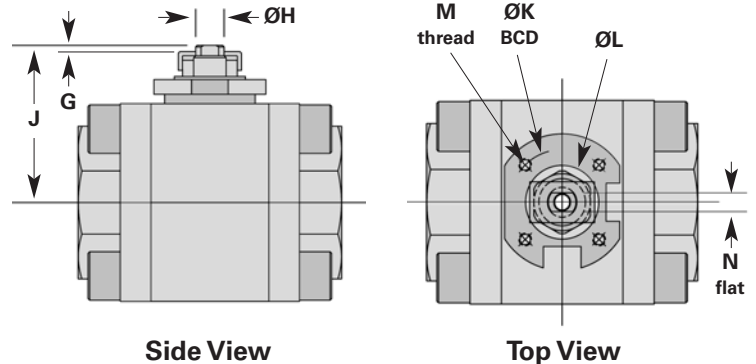
STANDARD DIMENSIONS, CVs & WEIGHTS

SIZE in mm	Dimensions						CV KV	WEIGHT lb kg
	A	B	C	D	ØE	F		
1/2 15	5.18 132	2.85 72	1.32 34	2.64 67	0.50 12.7	2.00 51	9 8	2.2 1.0
3/4 20	5.18 132	3.01 76	1.49 38	2.97 75	0.62 15.7	2.17 55	15 13	2.7 1.2
1 25	5.97 152	3.56 90	1.84 47	3.68 93	0.81 20.6	2.40 61	42 36	4.2 1.9
1 1/2 40	7.94 202	4.62 117	2.26 57	4.52 115	1.25 31.8	3.43 87	125 106	9.9 4.5
2 50	7.94 202	4.85 123	2.55 65	5.10 130	1.50 38.1	3.82 97	125 106	12.9 5.9

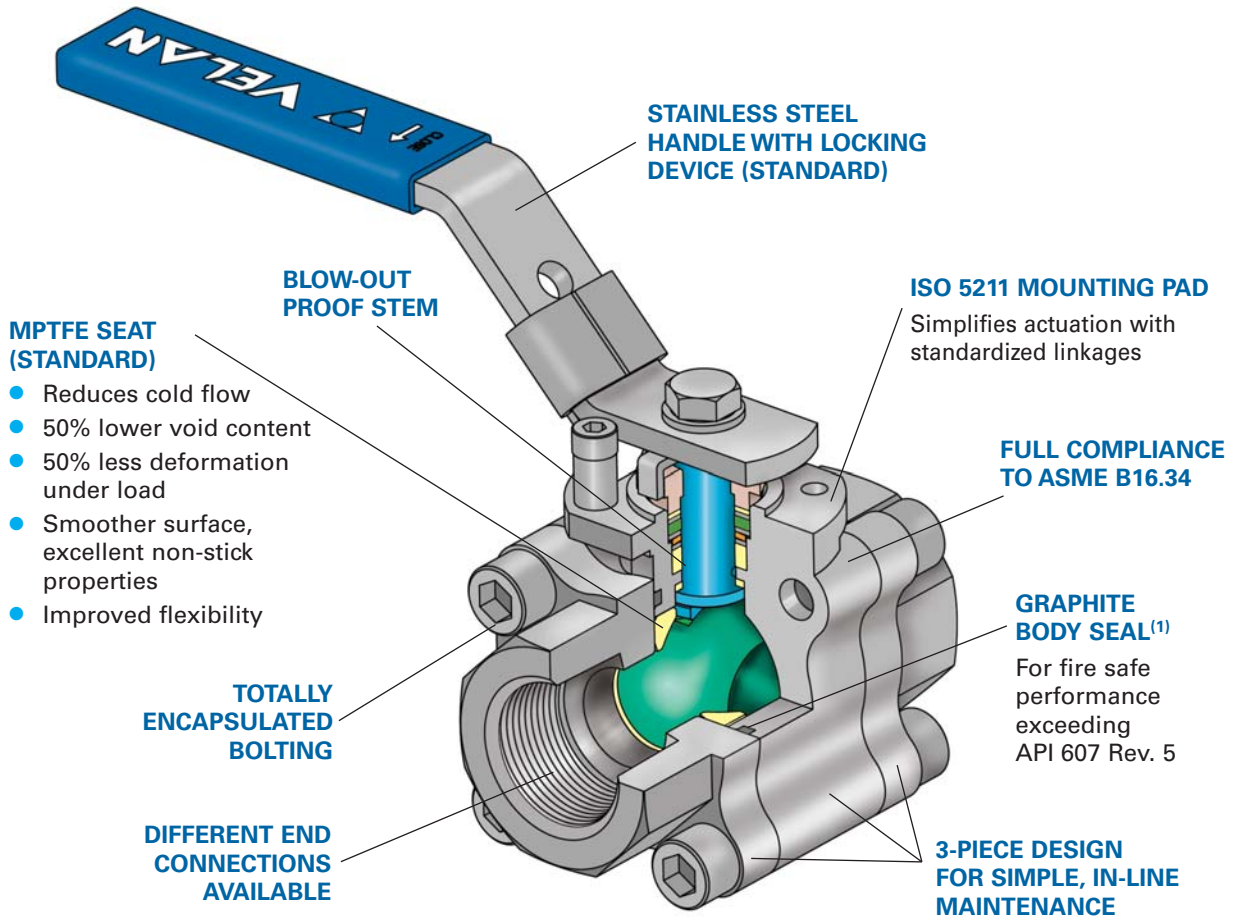


STANDARD DIMENSIONS - AUTOMATION

SIZE in mm	ISO mtg. flange	Dimensions						
		G	ØH	J	ØK BCD	ØL	M thread	N flat
1/2 15	F03	0.21 5.3	0.394 10.0	1.66 42.2	1.417 36.0	0.983 25.0	M5	0.276 7.00
3/4 20	F03	0.22 5.6	0.394 10.0	1.83 46.5	1.417 36.0	0.983 25.0	M5	0.276 7.00
1 25	F04	0.42 10.7	0.551 14.0	2.35 59.7	1.654 42.0	1.180 30.0	M5	0.433 11.00
1 1/2 40	F05	0.42 10.7	0.551 14.0	3.06 77.7	1.969 50.0	1.377 35.0	M6	0.433 11.00
2 50	F05	0.42 10.7	0.551 14.0	3.28 83.3	1.969 50.0	1.377 35.0	M6	0.433 11.00



DESIGN FEATURES

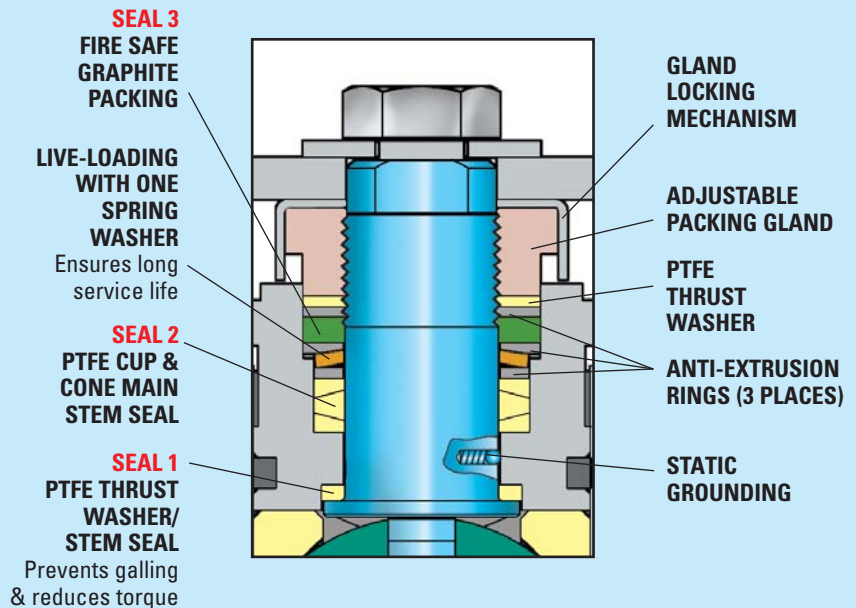


(1) PTFE body seal is also available for non-fire safe applications.

LIVE-LOADED ADJUSTABLE 3-WAY STEM SEAL

In order to achieve the required stem packing capability and performance within the limited space in these smaller valves, an impressive and **unique 3-way sealing system** has been developed which provides:

- Live-loaded cup & cone PTFE seal
- Primary PTFE seal
- Independently loaded fire safe graphite packing

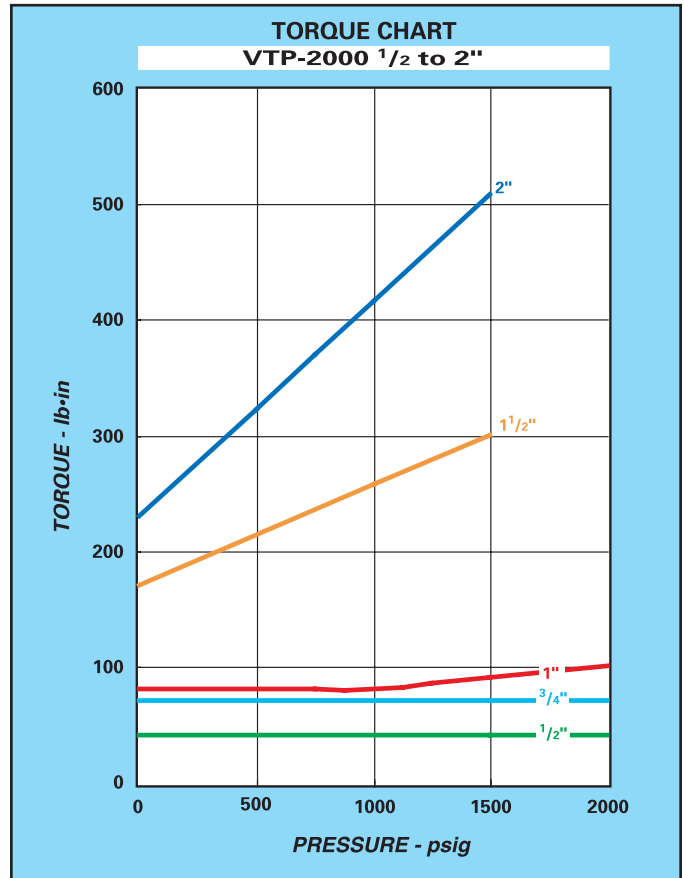


AUTOMATION



With a low torque design, and ISO 5211 mounting pad, the Velan VTP-2000 is simple and economical to actuate.

The torque chart (right) provides data for valves with clean fluids, and are to be used as a guide only. Type of media, cycle frequency and seat may all affect the actual operating torque of the valve.



HOW TO ORDER

VELAN VTP-2000 BALL VALVES

The figure numbers shown on this key cover essential features of Velan Valvac valves. Please use these figure numbers to ensure prompt and accurate processing of your order.



A TYPE OF CONNECTION

C - Combination (socket weld/threaded) S - Threaded
W - Socket weld

B SIZE OF CONNECTION*

Customers have the choice of specifying valve size as part of the valve figure ("B") using the numbers below, or indicating valve size separately.

Examples: 1/2" S-T0802-SSGA (valve size is shown separately) S03-T0802-SSGA (valve size is part of figure number)

03 - 1/2" 05 - 1" 08 - 2"
04 - 3/4" 07 - 1 1/2"

C MODEL NUMBER

T - VTP-2000

D PORT

0 - Regular port

E TYPE

8 - Three-piece valve

F BODY MATERIAL

02 - A105, WCB
13 - Stainless steel F316, CF8M

G TRIM MATERIAL

CODE	BALL	STEM
SS	SS 316	SS 316

H SEAT MATERIAL

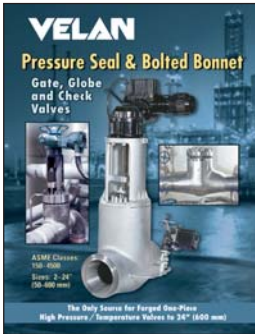
E - MPTFE

I SERVICE

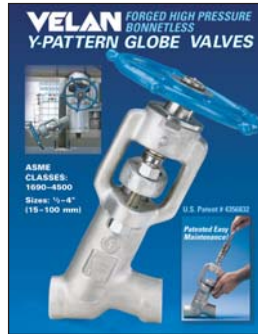
A - Standard
I - NACE
Z - Fire-tested to API 607 rev. 5



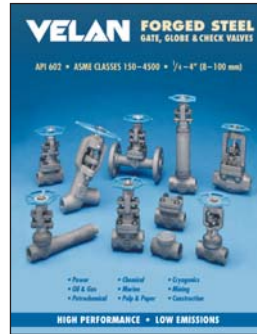
low emissions • easy maintenance • long, reliable service



VEL-PS



VEL-BG



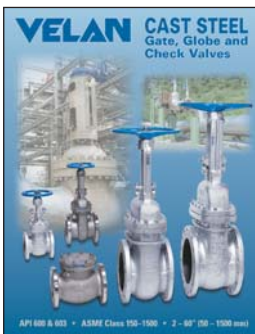
VEL-SFV



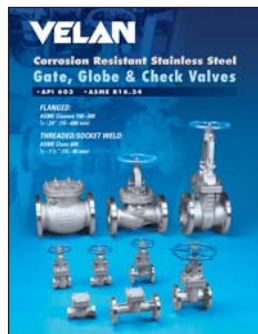
VEL-BS



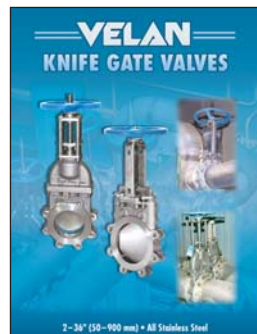
VEL-CRYO



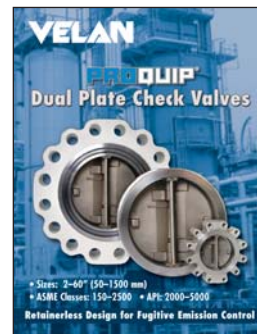
VEL-CSV



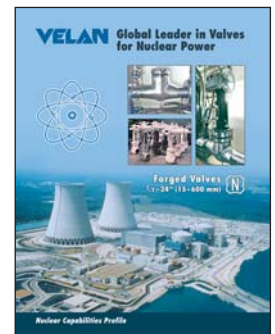
VEL-API-603



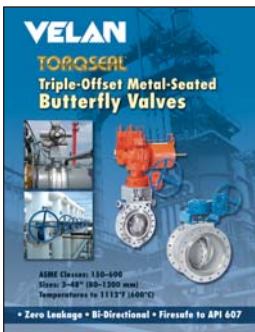
VEL-KGV



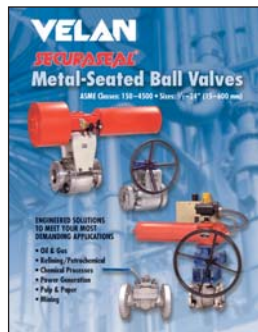
VEL-POCV



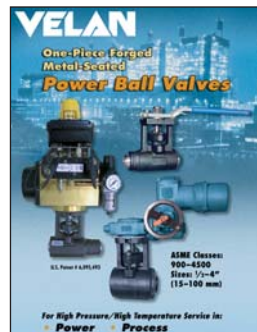
VEL-NCP



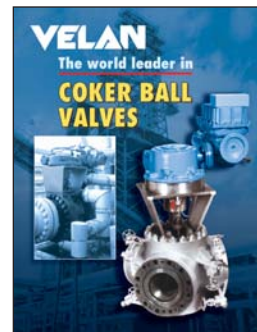
VEL-BF



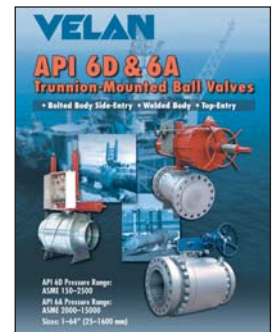
VEL-MS



VEL-PBV



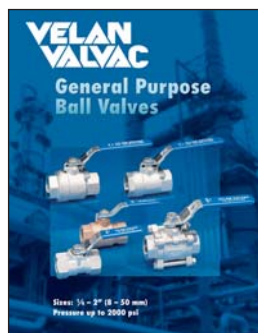
VEL-CBV



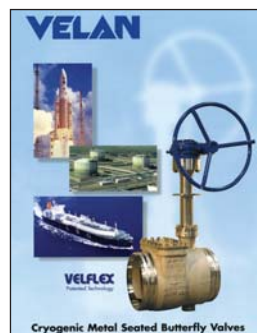
VEL-BV6D



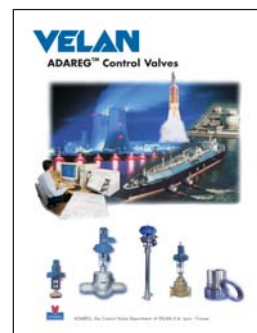
VEL-BV



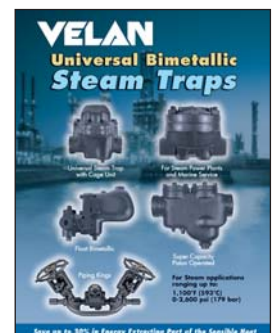
VEL-GP2BV



VEL-SAS-BF



VEL-ADCV



VEL-ST

www.velan.com