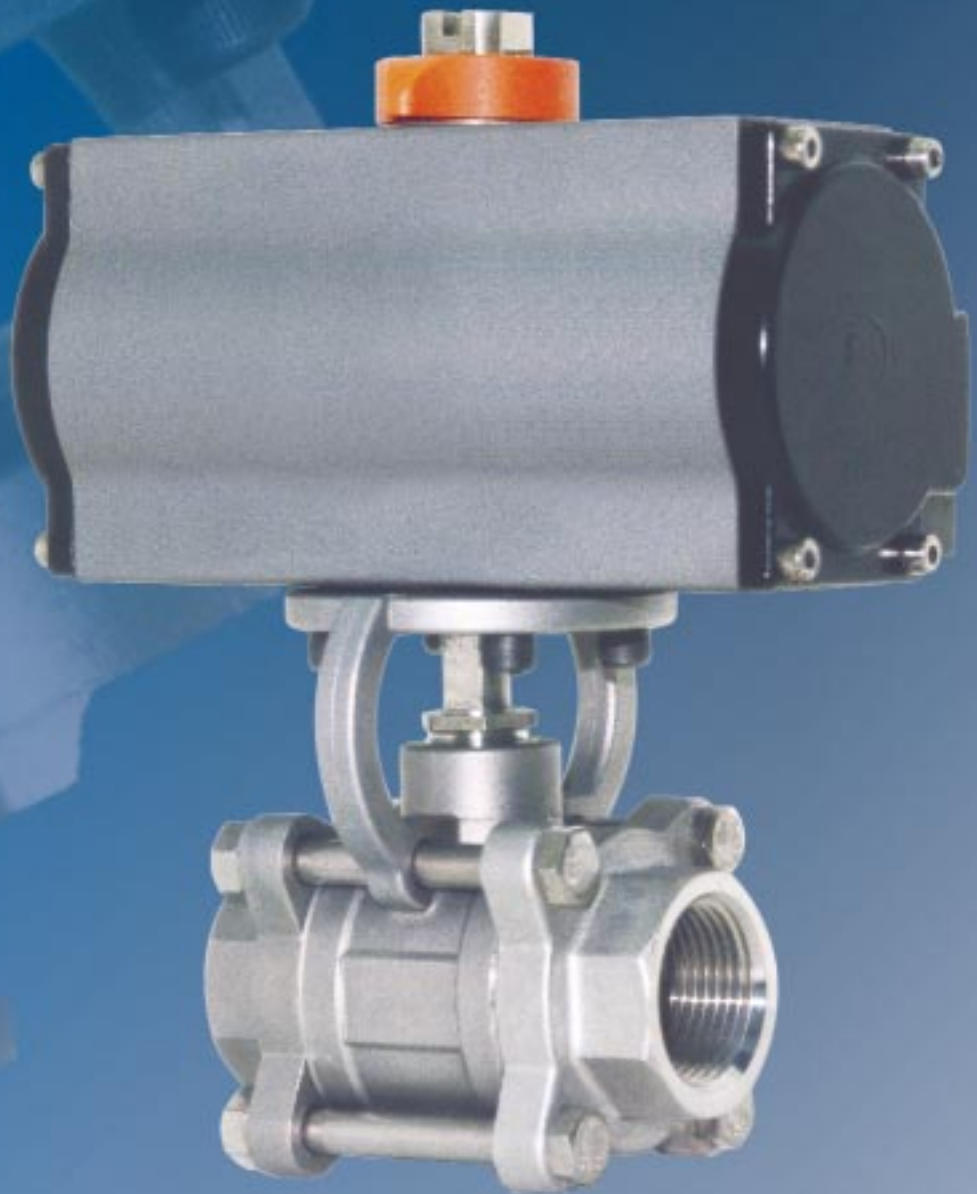


VELAN VALVAC

THREE-PIECE BALL VALVES ***With Integral ISO Mounting Flange***

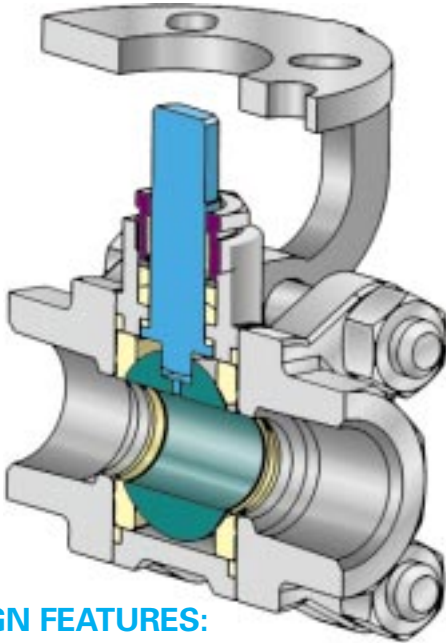


CERTIFIED TO ISO 9002 QUALITY STANDARDS

Catalogs

THREE-PIECE BALL VALVE WITH AN INTEGRAL ISO MOUNTING PAD

The Velan Valvac three-piece ball valve with integral ISO mounting pad is a rugged, low-cost ball valve for many industrial, commercial and OEM automated applications. The ISO mounting pad will allow quick and easy direct mounting of ISO compatible quarter-turn actuators. A key feature of this valve is the ability to easily adjust the packing without the removal of the actuator.



DESIGN FEATURES:

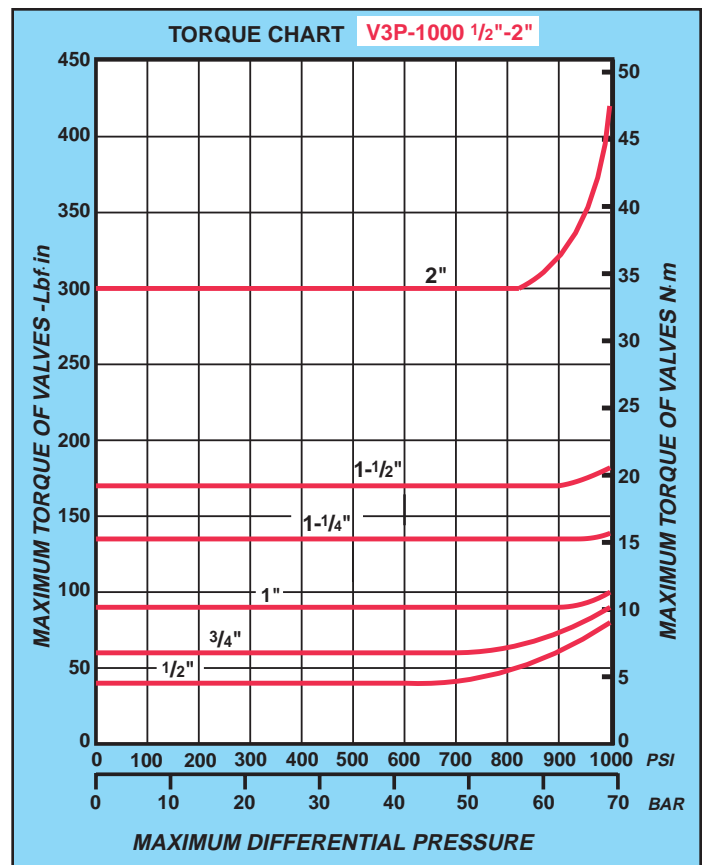
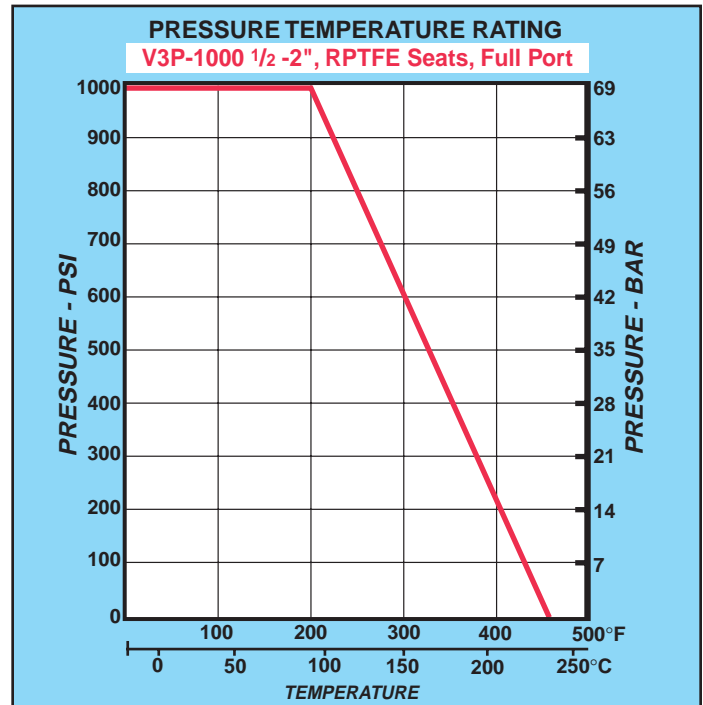
- Multiple solid cup and cone type Teflon packing - adjustable.
- Thrust washer prevents galling, reduces torque and provides secondary stem seal.
- Adjustable packing with self-locking gland nut complete with protective metal packing washer.
- 4-bolt bracket to ISO standard for automation.
- Blowout-proof stem.
- Threaded or socket weld ends.

OPTION AVAILABLE:

- Cavity Fillers - Excellent for batch operations.
- Manual lever.
- Combination Ends.

STANDARD MATERIALS

PART	STAINLESS STEEL	CARBON STEEL
Body	CF8M	WCB
End cap	CF8M	WCB
Seat	RPTFE	RPTFE
Ball	SS 316	SS 316
Stem	SS 316	SS 316
Stem packing	RPTFE	RPTFE
Thrust washer	RPTFE	RPTFE
Body Seal	PTFE	PTFE
Body nuts & bolts	SS 304	B7
Packing nut	SS 304	SS 304
Handle nut	SS 304	SS 304
Handle / latch	SS 304	SS 304
Packing washer	SS 304	SS 304

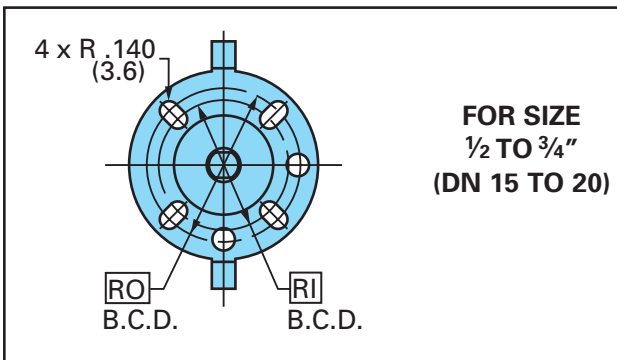


TECHNICAL INFORMATION

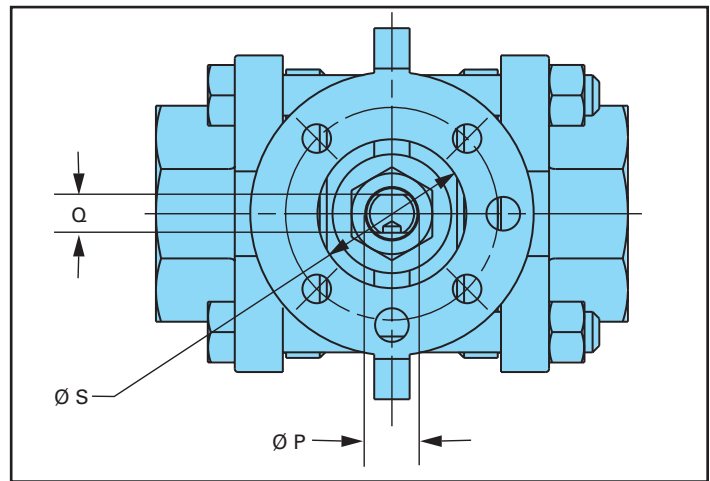
1000 WOG

SIZE in mm	C	D	G	H	J	ØK	ØP	Q	R B.C.D.	RI B.C.D.	RO B.C.D.	ØS
1/2	1.38	2.76	2.12	1.82	0.45	2.25	0.430	0.250	—	1.42	1.65	0.98
15	35.0	70.0	53.9	46.2	11.4	57.2	10.9	6.4	—	36	42	25
3/4	1.64	3.27	2.31	2.04	0.49	2.25	0.430	0.250	—	1.42	1.65	0.98
20	41.5	83.0	58.7	51.8	12.4	57.2	10.9	6.4	—	36	42	25
1	1.81	3.62	2.69	2.47	0.57	2.62	0.470	0.352	1.97	—	—	1.38
25	46.0	92.0	68.3	62.7	14.5	66.6	11.9	8.9	50	—	—	35
1 1/4	2.18	4.37	2.90	2.69	0.57	2.62	0.470	0.352	1.97	—	—	1.38
32	55.5	111.0	73.7	68.3	14.5	66.6	11.9	8.9	50	—	—	35
1 1/2	2.44	4.88	3.31	3.08	0.65	2.75	0.622	0.370	1.97	—	—	1.38
40	62.0	124.0	84.1	78.2	16.5	69.9	15.8	9.4	50	—	—	35
2	2.72	5.44	3.75	3.41	0.65	3.42	0.622	0.370	—	1.97	2.76	1.38
50	69.0	138.0	95.3	86.6	16.5	86.9	15.8	9.4	—	50	70	35

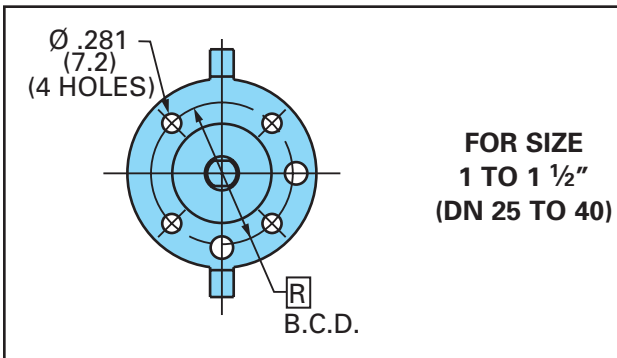
ISO F03/F04 BOLTING STYLE



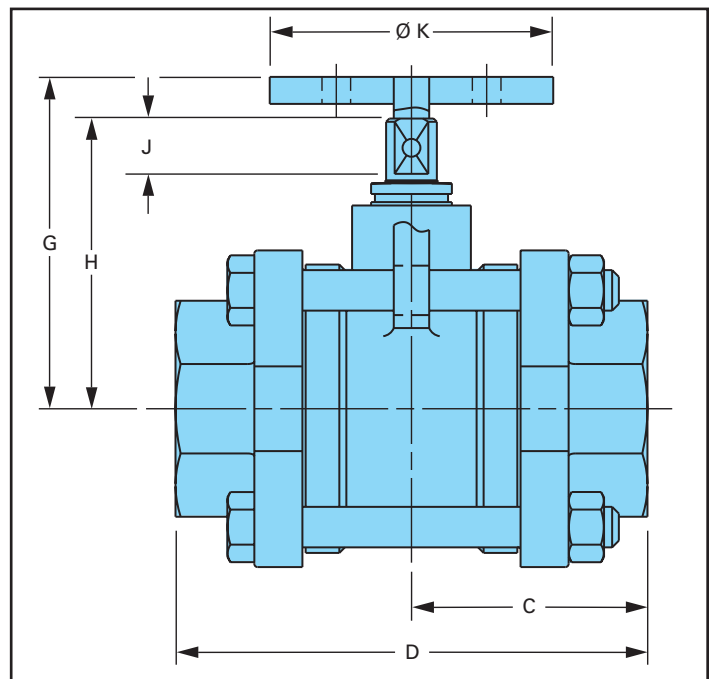
TOP VIEW



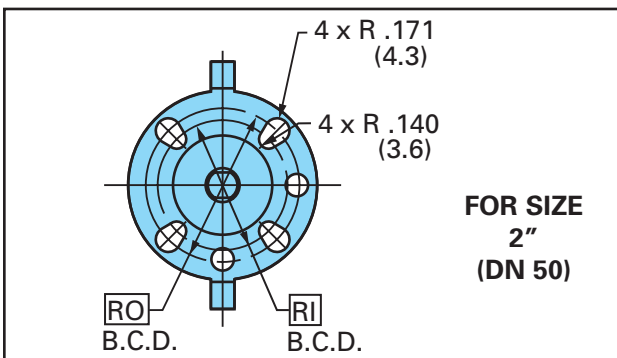
ISO F05 BOLTING STYLE



SIDE VIEW



ISO F05/F07 BOLTING STYLE



HOW TO ORDER

VELAN VALVAC ISO THREE-PIECE BALL VALVES

The figure numbers shown on this key cover essential features of Velan Valvac valves. Please use these figure numbers to ensure prompt and accurate processing of your order.



A TYPE OF CONNECTION

S - Threaded W - Socket weld

B SIZE OF CONNECTION*

Customers have the choice of specifying valve size as part of the valve figure ("B") using the numbers below, or indicating valve size separately.

Examples: ½" S-J1802-SSGA (valve size is shown separately) S03-J1802-SSGA (valve size is part of figure number)

03 - ½" 05 - 1" 07 - 1½"
04 - ¾" 06 - 1¼" 08 - 2"

C MODEL NUMBER

J - V3P-1000-ISO mounting pad

D PORT

1 - Full port

E TYPE

8 - Three-piece valve

F BODY MATERIAL

02 - A105, WCB
13 - Stainless steel F316, CF8M

G TRIM MATERIAL

CODE	BALL	STEM
SS	SS 316	SS 316

H SEAT MATERIAL

G - RPTFE

I SERVICE

A - Standard

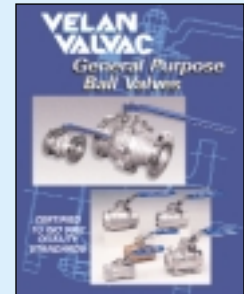
SALES OFFICES

*Please consult the address list on the CD.
You can access it from the Main Menu.*

Velan offers a full line of patented resilient and metal-seated ball valves in sizes up to 24".



VEL-MS



VEL-GPBV



VEL-BV



VEL-TE

NOTE: The material in this catalog is for general information. For specific performance data and proper material selection, consult your Velan Valvac representative. Although every attempt has been made to ensure that the information contained in this catalog is correct, Velan Valvac reserves the right to change designs, materials or specifications without notice.

Velan's valve distributors are located worldwide.