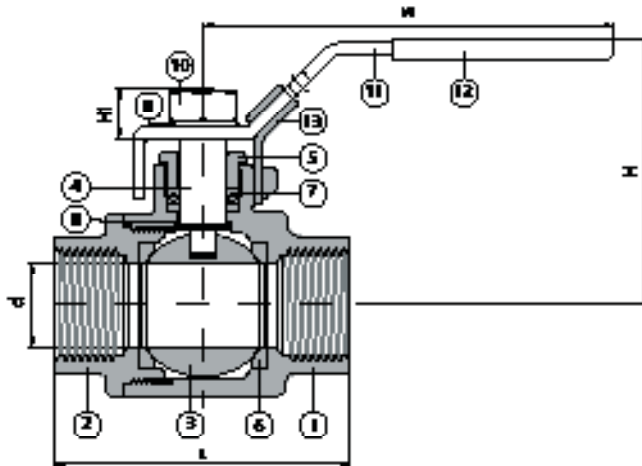
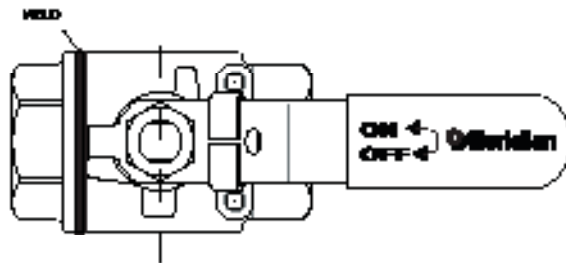




# Meridian™ Ball Valve

Model #: MAC2CF

## 2000 WOG 2-PIECE FULL BORE



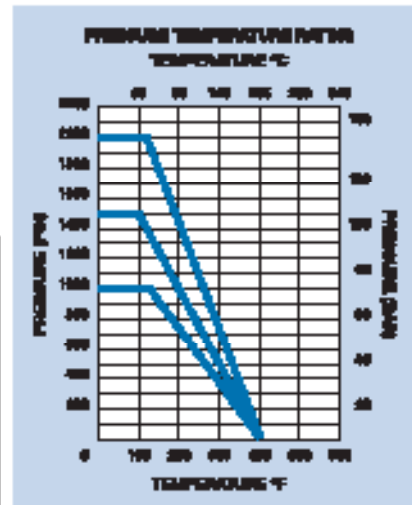
### FEATURES

- ASME B18.34 design
- Threaded ends conform to ASME B1.20.1 (NPT)
- Seal welded body
- Investment casting
- Blow-out proof stem
- 2000 psi (1/4" to 1") CL 800
- 1500 psi (1 1/4" to 2") CL 800
- 1000 psi (2 1/2" to 3") CL 400
- Glassfibre filled PTFE seats
- PTFE packing
- Latch lock handle
- Mounting pad
- Sour / NACE Service

ITEM	PARTS	MATERIAL
1	BODY	ASTM A216-WCB
2	END CAP	ASTM A216-WCB
3	BALL	ASTM A351-CF8M
4	STEM	ASTM A276-316
5	GLAND RING	304
6	BALL SEAT	R-PTFE
7	PACKING	PTFE
8	THRUST WASHER	PTFE
9	SPRING WASHER	304
10	NUT	304
11	HANDLE	304
12	HANDLE SLEEVE	PVC
13	LOCK DEVICE	304

DN	d	L	H	H1	W	Cv
8	11.6	80.5	53.6	80.5	182	80
10	12.8	80.5	53.6	80.5	182	80
15	15	82.5	57	80.5	182	12
20	20.2	77	62.1	83.5	134	35
25	25.6	90	68	85.7	165	60
32	32	100	83.7	85.7	165	80
40	38	118.2	99	17	188	150
50	50.8	138	106.9	17	188	250
65	65.5	167	141.9	27.5	250	400
80	80	193	152.8	27.5	250	600

NPS	d	L	H	H1	W	Cv
1/8"	0.45	2.38	2.11	0.41	4.82	10
3/8"	0.50	2.38	2.11	0.41	4.82	10
1/2"	0.59	2.46	2.28	0.41	4.82	12
3/4"	0.80	3.08	2.44	0.53	4.88	35
1"	1.01	3.54	3.15	0.62	6.58	60
1-1/4"	1.25	3.94	3.38	0.62	6.58	100
1-1/2"	1.50	4.65	3.98	0.67	7.48	150
2"	2	5.43	4.21	0.67	7.48	250
2-1/2"	2.58	6.57	5.58	1.08	9.84	400
3"	3.15	7.5	6.02	1.08	9.84	600



Canada's Valve Specialist

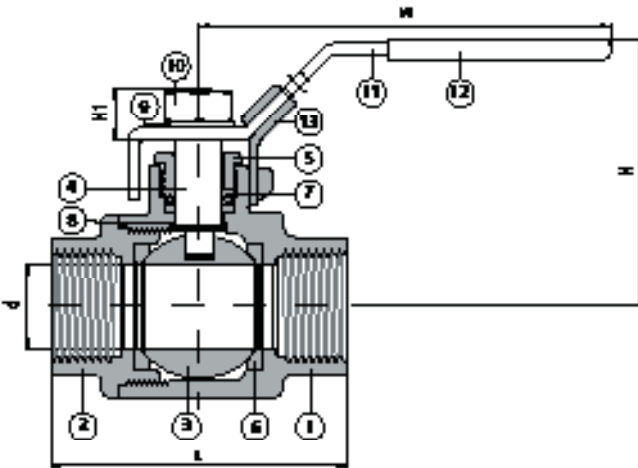
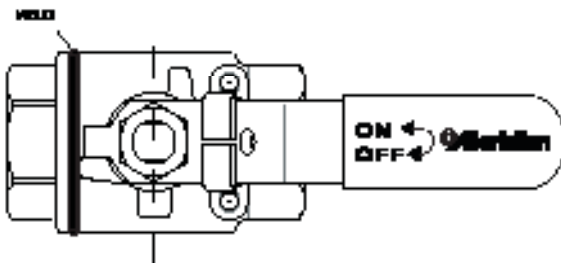
DUE TO CONTINUOUS DEVELOPMENT OF OUR PRODUCTS, WE RESERVE THE RIGHT TO MODIFY OUR PRODUCT DESIGN OR CONSTRUCTION WITHOUT PRIOR NOTICE.



# Meridian™ Ball Valve

Model #: MAC2SF

## 2000 WOG 2-PIECE FULL BORE



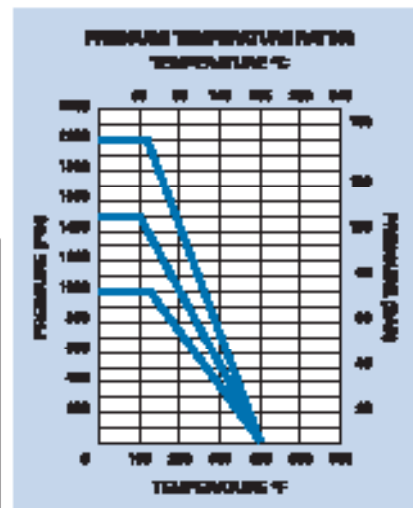
### FEATURES

- ASME B10.34 design
- Threaded ends conform to ASME B1.20.1 (NPT)
- Seal welded body
- Investment casting
- Blow-out proof stem
- 2000 psi (1/4" to 1") CL 800
- 1500 psi (1 1/4" to 2") CL 600
- 1000 psi (2 1/2" to 3") CL 400
- Glassfibre filled PTFE seats
- PTFE packing
- Latch lock handle
- Mounting pad
- Sour / NACE Service

ITEM	PARTS	MATERIAL
1	BODY	ASTM A351-CF8M
2	END CAP	ASTM A351-CF8M
3	BALL	ASTM A351-CF8M
4	STEM	ASTM A276-316
5	GLAND RING	ASIS 304
6	BALL SEAT	R-PTFE
7	PACKING	PTFE
8	THRUST WASHER	PTFE
9	SPRING WASHER	ASIS 304
10	NUT	ASIS 304
11	HANDLE	ASIS 304
12	HANDLE SLEEVE	PVC
13	LOCK DEVICE	ASIS 304

DN	d	L	H	H1	W	Cv
8	11.6	60.5	53.6	80.5	182	10
10	12.8	60.5	53.6	80.5	182	10
15	15	62.5	57	80.5	182	12
20	20.2	77	62.1	83.5	124	35
25	25.6	90	68	85.7	165	50
32	32	100	83.7	85.7	165	100
40	38	118.2	99	17	188	150
50	50.8	138	106.9	17	188	250
65	65.5	167	141.9	27.5	250	400
80	80	193	152.8	27.5	250	600

NPS	d	L	H	H1	W	Cv
1/8"	0.45	2.38	2.11	0.41	4.82	10
3/8"	0.50	2.38	2.11	0.41	4.82	10
1/2"	0.59	2.46	2.28	0.41	4.82	12
3/4"	0.80	3.03	2.44	0.53	4.88	35
1"	1.01	3.54	3.15	0.62	6.58	50
1-1/4"	1.25	3.94	3.38	0.62	6.58	100
1-1/2"	1.50	4.65	3.98	0.67	7.40	150
2"	2	5.43	4.21	0.67	7.40	250
2-1/2"	2.58	6.57	5.59	1.08	9.84	400
3"	3.15	7.5	6.02	1.08	9.84	600



Canada's Valve Specialist

DUE TO CONTINUOUS DEVELOPMENT OF OUR PRODUCTS, WE RESERVE THE RIGHT TO MODIFY OUR PRODUCT DESIGN OR CONSTRUCTION WITHOUT PRIOR NOTICE.