



Meridian™ Ball Valve

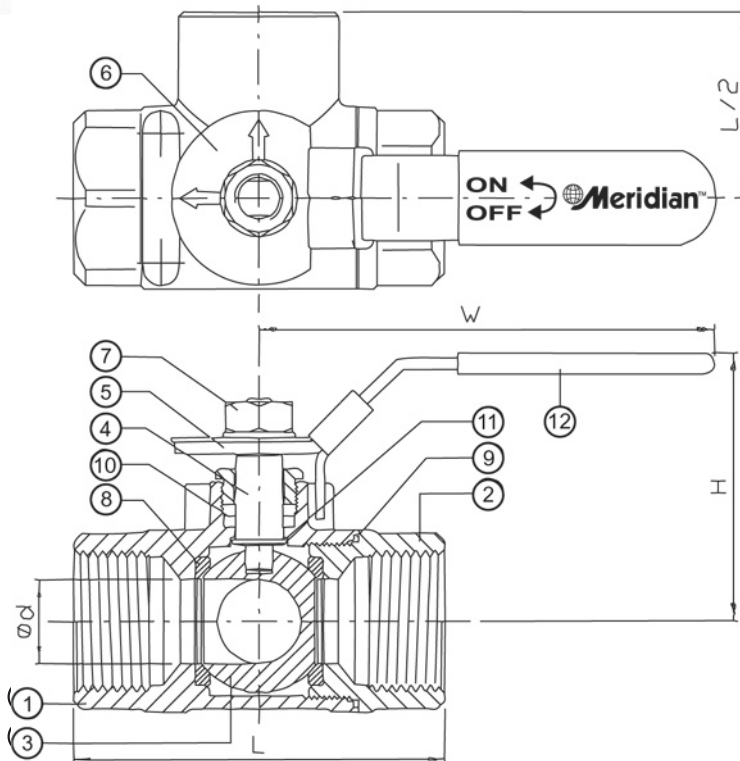
Model #: M21SRL

3 WAY L PORT



FEATURES

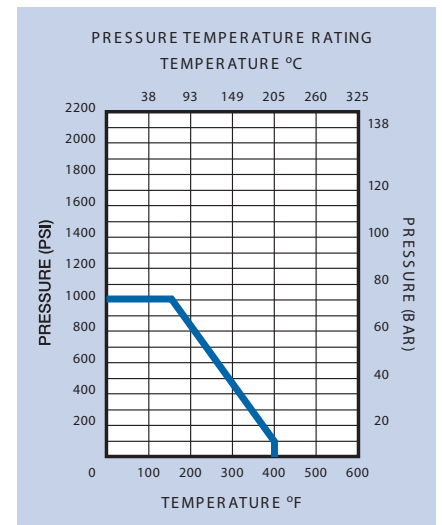
- Threaded ends conform to ASME B1.20.1 (NPT)
- Investment casting
- Blow-out proof stem
- Regular bore
- 1000 psi
- Glassfibre filled PTFE seats
- Mounting pad
- L port design
- Latch lock handle



| ITEM | PARTS | MATERIAL |
|------|---------------|----------------|
| 1 | BODY | ASTM A351-CF8M |
| 2 | END CAP | ASTM A351-CF8M |
| 3 | BALL | ASTM A351-CF8M |
| 4 | STEM | ASTM A276-316 |
| 5 | HANDLE | AISI 304 |
| 6 | NAME PLATE | Aluminum |
| 7 | NUT & WASHER | AISI 304 |
| 8 | BALL SEAT | R-PTFE |
| 9 | BODY SEAL | PTFE |
| 10 | STEM PACKING | PTFE |
| 11 | THRUST WASHER | PTFE |
| 12 | HANDLE SLEEVE | PVC |

| DN | d | L | H | W | Cv |
|----|------|-----|----|-----|----|
| 10 | 10 | 64 | 53 | 97 | 6 |
| 15 | 12.7 | 64 | 53 | 97 | 6 |
| 20 | 16 | 76 | 63 | 126 | 12 |
| 25 | 20 | 87 | 66 | 126 | 14 |
| 32 | 25 | 96 | 81 | 145 | 24 |
| 40 | 32 | 114 | 83 | 145 | 30 |
| 50 | 38.1 | 142 | 96 | 204 | 50 |

| NPS | d | L | H | W | Cv |
|--------|------|------|------|------|----|
| 3/8" | 0.39 | 2.52 | 2.09 | 3.82 | 6 |
| 1/2" | 0.50 | 2.52 | 2.09 | 3.82 | 6 |
| 3/4" | 0.63 | 2.99 | 2.48 | 4.96 | 12 |
| 1" | 0.79 | 3.43 | 2.60 | 4.96 | 14 |
| 1-1/4" | 0.98 | 3.78 | 3.19 | 5.71 | 24 |
| 1-1/2" | 1.26 | 4.49 | 3.27 | 5.71 | 30 |
| 2" | 1.50 | 5.59 | 3.78 | 8.03 | 50 |



Canada's Valve Specialist

DUE TO CONTINUOUS DEVELOPMENT OF OUR PRODUCTS, WE RESERVE THE RIGHT TO MODIFY OUR PRODUCT DESIGN OR CONSTRUCTION WITHOUT PRIOR NOTICE.