



# Meridian™ Ball Valve

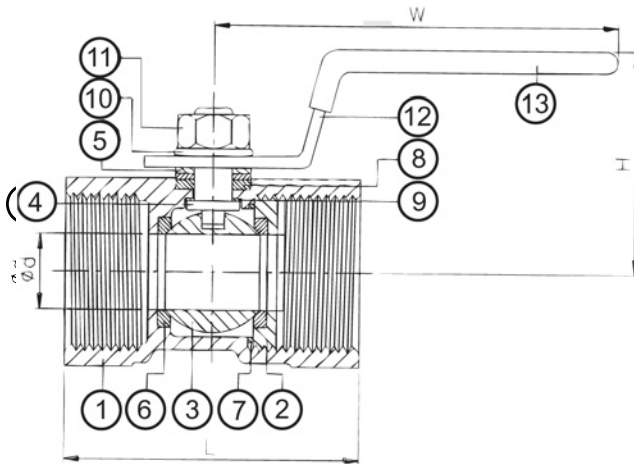
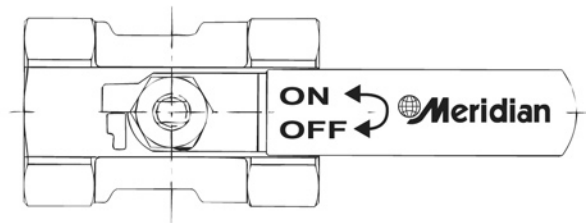
Model #: M11S

## 1000 WOG 1-PIECE REDUCED BORE



### FEATURES

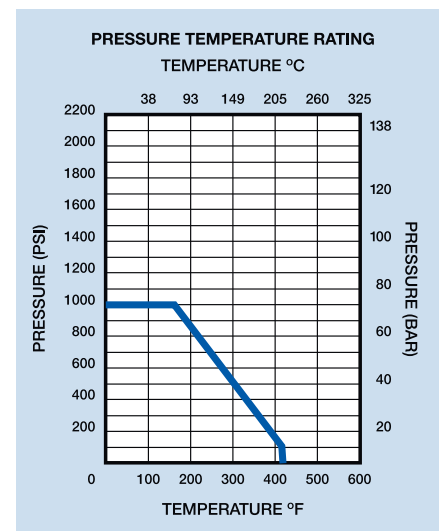
- Threaded ends conform to ASME B1.20.1 (NPT)
- Investment casting
- Blow-out proof stem
- 1000 psi
- Glassfibre filled PTFE seats
- PTFE seal and packing
- Latch lock handle



ITEM	PARTS	MATERIAL
1	BODY	ASTM A351-CF8M
2	RETAINER	ASTM A351-CF8M
3	BALL	ASTM A351-CF8M
4	STEM	ASTM A276-316
5	GLAND NUT	AISI 304
6	BALL SEAT	R-PTFE
7	BODY SEAL	PTFE
8	PACKING	PTFE
9	THRUST WASHER	PTFE
10	SPRING WASHER	AISI 304
11	STEM NUT	AISI 304
12	HANDLE	AISI 304
13	HANDLE SLEEVE	PVC

DN	d	L	H	W	Weight KG	Cv
8	5	39	33	60.5	0.18	2.5
10	7	44	35	75	0.1	4.5
15	9	56.4	42	89	0.18	7
20	12.5	58	46	89	0.27	9
25	16	70	50	106	0.42	16
32	20	77	56	106	0.7	24
40	24.6	82	66	128	0.85	37
50	32	99	72	128	1.36	68

NPS	d	L	H	W	Weight LB	Cv
1/4"	0.20	1.54	1.30	2.38	0.2	2.5
3/8"	0.28	1.73	1.38	2.95	0.2	4.5
1/2"	0.36	2.22	1.65	3.50	0.4	7
3/4"	0.49	2.28	1.81	3.50	0.6	9
1"	0.63	2.76	1.97	4.17	0.9	16
1-1/4"	0.79	3.03	2.21	4.17	1.5	24
1-1/2"	0.97	3.23	2.60	5.04	1.9	37
2"	1.26	3.90	2.84	5.04	3.0	68



Canada's Valve Specialist

DUE TO CONTINUOUS DEVELOPMENT OF OUR PRODUCTS, WE RESERVE THE RIGHT TO MODIFY OUR PRODUCT DESIGN OR CONSTRUCTION WITHOUT PRIOR NOTICE.