

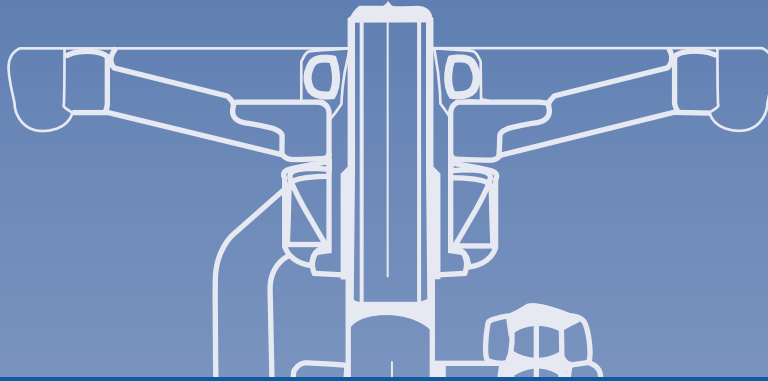
25 YEARS



Meridian

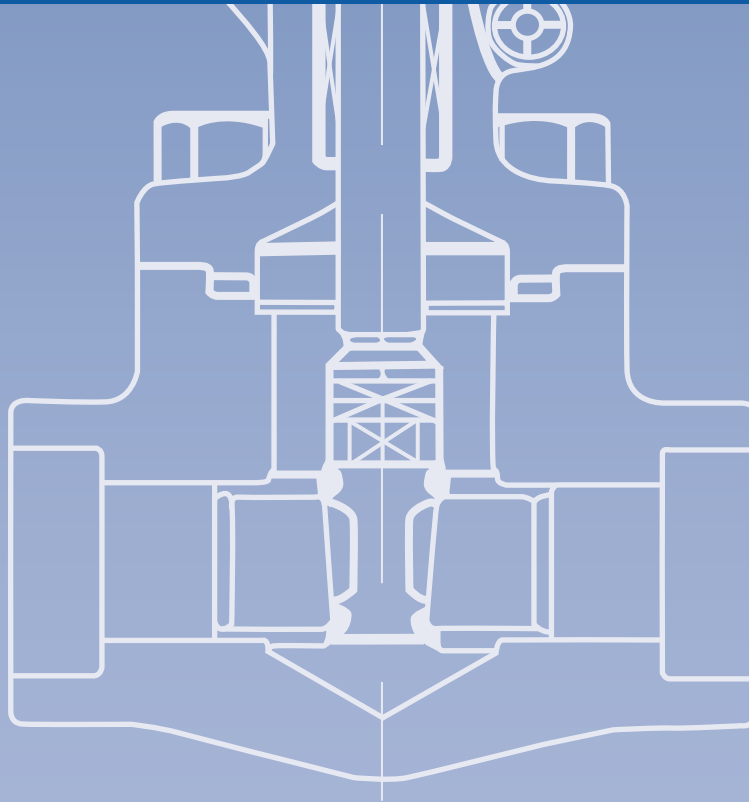
VALVES • VALVE AUTOMATION

a WOLSELEY company



GATE, GLOBE, AND CHECK VALVES

Forged Steel

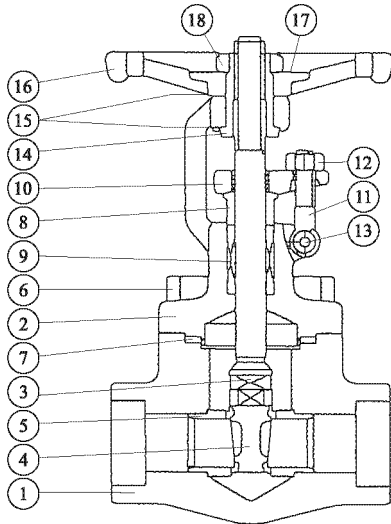




Meridian™ Forged Steel Valve (API 602)

TYPICAL FORGED VALVE PARTS AND MATERIALS

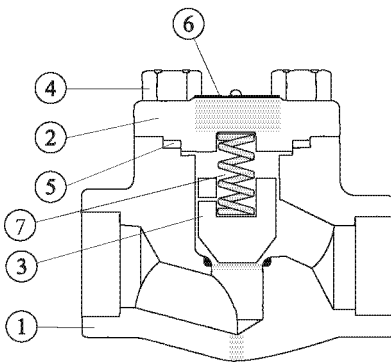
MERIDIAN™ FORGED STEEL GATE VALVE



Gate

PART NO	PART NAME	Q'TY	A105	A105 NACE	A350 LF2 NACE	A182 316	A182 316L	F5/F11/F22
1	BODY	1	A105N	A105N	LF2	316	316L	F5/F11/F22
2	BONNET	1	A105N	A105N	LF2	316	316L	F5/F11/F22
3	STEM	1	410	316	316	316	316L	410
4	DISC/WEDGE	1	410	316	316	316	316L	410+HF
5	SEAT RING	4	410+HF	316+HF	316+HF	316+HF	316L+HF	410+HF
6	BONNET BOLT	1	A193-B7	A193-B7M	A320-L7M	A193-B8	A193-B8	A193-B16
7	GASKET	1	316+GR	316+GR	316+GR	316+GR	316+GR	316+GR
8	GLAND	1	410	316	316	316	316	410
9	PACKING	1 set	GRAPHITE	GRAPHITE	GRAPHITE	GRAPHITE	GRAPHITE	GRAPHITE
10	GLAND FLANGE	2	WCB	WCB	LCB	316	316	WCB
11	GLAND BOLT	2	A193-B6	A193-B8	A193-B8	A193-B8	A193-B8	A193-B6
12	GLAND BOLT NUT	2	A194-2H	A194-8	A194-8	A194-8	A194-8	A194-2H
13	GLAND BOLT PIN	1	410	410	410	316	316	410
14	SLEEVE	1	410	410	410	410	410	410
15	SLEEVE WASHER	1	410	410	410	410	410	410
16	HANDWHEEL	1	A197	A197	A197	A197	A197	A197
17	NAMEPLATE	1	ALUMINUM	ALUMINUM	ALUMINUM	ALUMINUM	ALUMINUM	ALUMINUM
18	HANDWHEEL NUT	1	A108-1020	A108-1020	A108-1020	A108-1020	A108-1020	A108-1020

MERIDIAN™ FORGED STEEL PISTON CHECK VALVE



Piston Check

PART NO	PART NAME	Q'TY	A105	A105 NACE	A350 LF2 NACE	A182 316	A182 316L	F5/F11/F22
1	BODY	1	A105N	A105N	LF2	316	316L	F5/F11/F22
2	COVER	1	A105N	A105N	LF2	316	316L	F5/F11/F22
3	DISC	1	410	316	316	316	316L	410 + HF
	INTERGRAL SEAT	1	HF	HF	HF	HF	HF	HF
4	COVER BOLT	4	A193 B7	B7M	A320-L7M	A193-B8	A193-B8	A193-B16
5	GASKET	1	316+GR	316+GR	316+GR	316+GR	316+GR	316+GR
6	NAMEPLATE	1	ALUMINUM	ALUMINUM	ALUMINUM	ALUMINUM	ALUMINUM	ALUMINUM
7	SPRING	7	316	INCX70	INCX750	316	316	INCX750

Flanged Valves available [Factory Welded on Flanges]



Canada's Valve Specialist

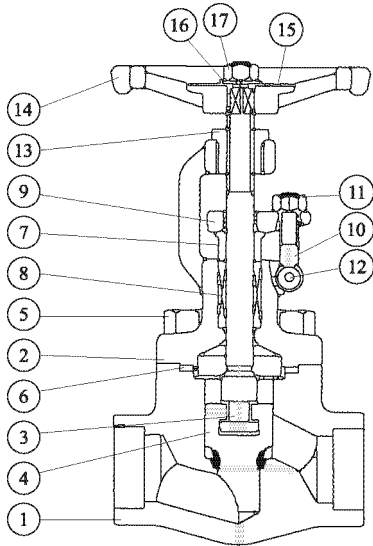
DUE TO CONTINUOUS DEVELOPMENT OF OUR PRODUCTS, WE RESERVE THE RIGHT TO MODIFY OUR PRODUCT DESIGN OR CONSTRUCTION WITHOUT PRIOR NOTICE.



Meridian™ Forged Steel Valve (API 602)

TYPICAL FORGED VALVE PARTS AND MATERIALS

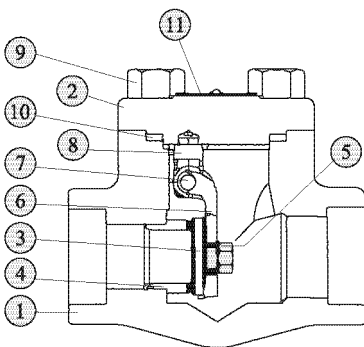
MERIDIAN™ FORGED STEEL GLOBE VALVE



Globe

PART NO	PART NAME	Q'TY	A105	A105 NACE	A350 LF2 NACE	A182 316	A182 316L	F5/F11/F22
1	BODY	1	A105N	A105N	LF2	316	316L	F5/F11/F22
2	BONNET	1	A105N	A105N	LF2	316	316L	F5/F11/F22
3	STEM	1	410	316	316	316	316L	410
4	DISC	1	410	316	316	316	316L	410+HF
	INTEGRAL SEAT	1	HF	HF	HF	HF	HF	HF
5	BONNET BOLT	4	A193-B7	A193-B7M	A320 L7M	A193 B8	A193 B8	A193-B16
6	GASKET	1	316+GR	316+GR	316+GR	316+GR	316+GR	316+GR
7	GLAND	1	410	316	316	316	316	410
8	PACKING	1 set	GRAPHITE	GRAPHITE	GRAPHITE	GRAPHITE	GRAPHITE	GRAPHITE
9	GLAND FLANGE	1	WCB	WCB	LCB	316	316	WCB
10	GLAND BOLT	2	A193-B6	A193-B8	A193-B8	A193-B8	A193-B8	A193-B6
11	GLAND BOLT NUT	2	A194-2H	A194-8	A194-8	A194-8	A194-8	A194-2H
12	GLAND BOLT PIN	2	410	410	410	316	316	410
13	SLEEVE	1	410	410	410	410	410	410
14	HANDWHEEL	1	A197	A197	A197	A197	A197	A197
15	NAMEPLATE	1	ALUMINUM	ALUMINUM	ALUMINUM	ALUMINUM	ALUMINUM	ALUMINUM
16	HANDWHEEL WASHER	1	A108-1020	A108-1020	A108-1020	A108-1020	A108-1020	A108-1020
17	HANDWHEEL NUT	1	A194-2H	A194-2H	A194-2H	A194-2H	A194-2H	A194-2H

MERIDIAN™ FORGED STEEL SWING CHECK VALVE



Swing Check

PART NO	PART NAME	Q'TY	A105	A105 NACE	A350 LF2 NACE	A182 316	A182 316L	F5/F11/F22
1	BODY	1	A105N	A105N	LF2	316	316L	F5/F11/F22
2	COVER	1	A105N	A105N	LF2	316	316L	F5/F11/F22
3	DISC	1	410	316	316	316	316L	410
4	SEAT RING	1	410+HF	316+HF	316+HF	316+HF	316L+HF	410+HF
5	RETAINING NUT	1	A194-2H	A194-8	A194-8	A194-8	A194-8	A194-8
6	HINGE	1	WCB	316	316	316	316L	410
7	HINGE PIN	1	410	316	316	316	316	410
8	SUPPORTER	1	304	316	316	316	316L	304
9	COVER BOLT	4	A193-B7	A193-B7M	A320-L7M	A193-B8	A193-B8	A193-B16
10	GASKET	1	316+GR	316+GR	316+GR	316+GR	316+GR	316+GR
11	NAMEPLATE	1	ALUMINUM	ALUMINUM	ALUMINUM	ALUMINUM	ALUMINUM	ALUMINUM

Flanged Valves available [Factory Welded on Flanges]

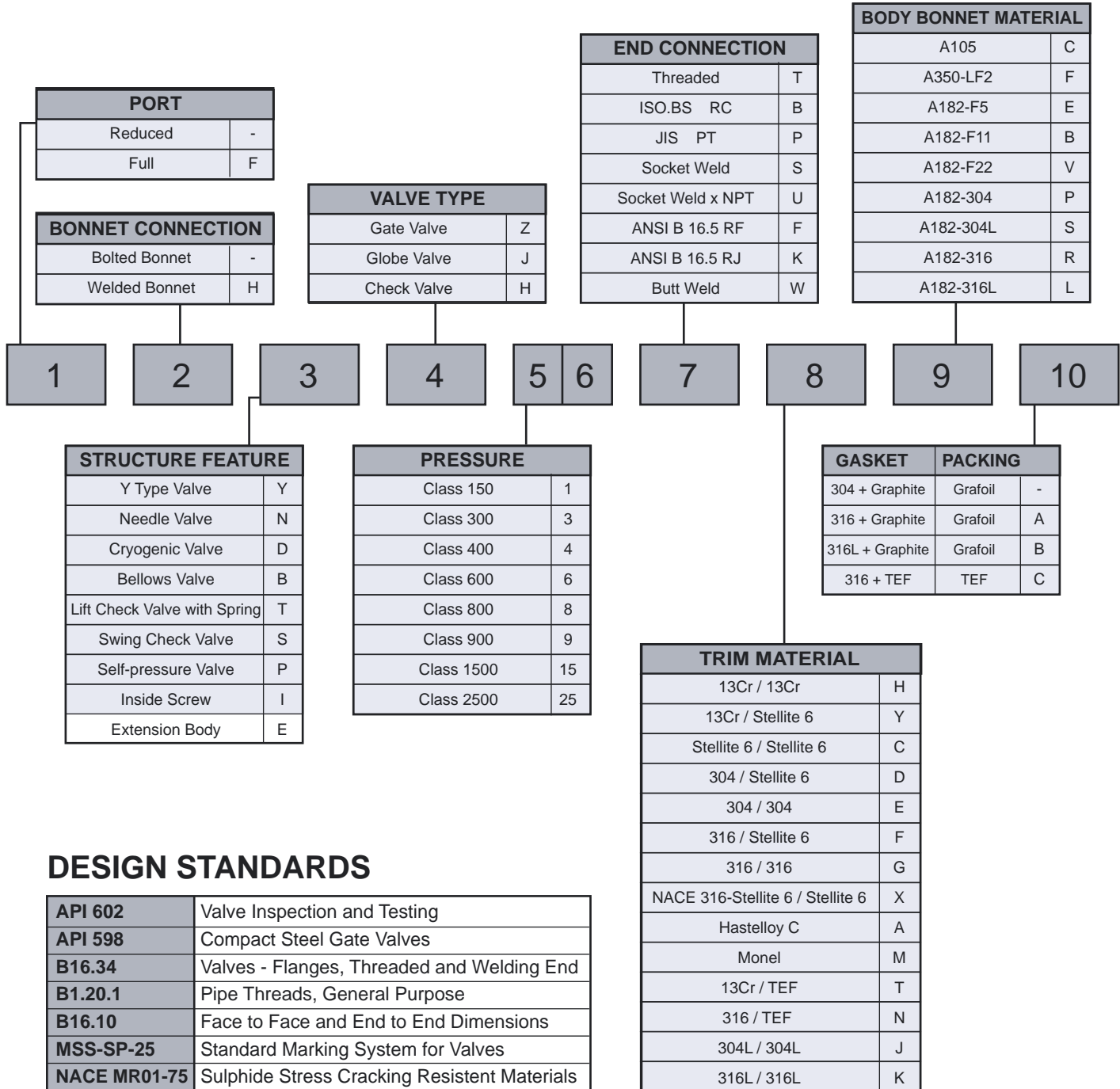


Canada's Valve Specialist

DUE TO CONTINUOUS DEVELOPMENT OF OUR PRODUCTS, WE RESERVE THE RIGHT TO MODIFY OUR PRODUCT DESIGN OR CONSTRUCTION WITHOUT PRIOR NOTICE.



ORDERING INFORMATION



DESIGN STANDARDS

API 602	Valve Inspection and Testing
API 598	Compact Steel Gate Valves
B16.34	Valves - Flanges, Threaded and Welding End
B1.20.1	Pipe Threads, General Purpose
B16.10	Face to Face and End to End Dimensions
MSS-SP-25	Standard Marking System for Valves
NACE MR01-75	Sulphide Stress Cracking Resistant Materials

Note: Dimensional specification sheets for each valve type by pressure class can be provided separately from this brochure.

PHONE: 1-800-661-6997 • FAX: 1-800-263-8298

Canada's Valve Specialist

www.meridianvalve.ca